



Short Description



- Low profile planar beam load cell
- Anodized aluminum alloy, IP65 sealed
- High accuracy
- Suited for compact scales, bench scales, retail & counting scales



Test certificate no. TC8408 Revision 1
C of C no R60/2000-NL1-17.31

Available Models

Capacity	Accuracy	Full Article Description
3.75 kg	C3	L6P1-C3-3.75kg-1.5P-R1S
7.5 kg	C3	L6P1-C3-7.5kg-1P-R1S
15 kg	C3	L6P1-C3-15kg-1.5P-R1S
37.5 kg	C3	L6P1-C3-37.5kg-1.5P-R1S
75 kg	C3	L6P1-C3-75kg-1.5P-R1S
150 kg	C3	L6P1-C3-150kg-1.5P-R1S
375 kg	C3	L6P1-C3-375kg-1.5P-R1S

Specifications and dimensions are subject to change without notice and do not constitute any liability whatsoever.

Technical Specifications L6P1

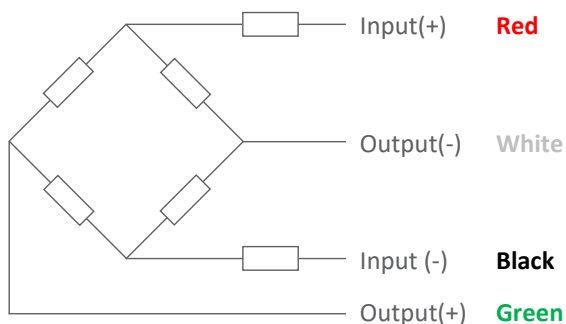
Accuracy Class		OIML R60 C3		
Output Sensitivity (= FS)	mV/V	1.0 ± 0.002		
Maximum Capacity (E _{max})	kg	3.75, 7.5, 15, 37.5, 75, 150, 375		
Max. Number of Load Cell Intervals	n _{LC}	3000		
Ratio of min. LC Verification Interval	$Y = E_{max} / V_{min}$	10000		
Combined Error	%FS	≤± 0.02		
Creep Error (30 minutes)	%FS	≤± 0.0245		
Temperature Effect on Zero (ZTC)	%FS/10°C	≤± 0.02		
Temperature Effect on Sensitivity (STC)	%FS/10°C	≤± 0.0175		
Zero Balance	%FS	≤± 5		
Safe Overload	%FS	150		
Ultimate Overload	%FS	200		
Maximum Deflection	mm	0.42		
Corner Error	%FS	± 0.2		
Excitation, Recommended Voltage	V	5 ~ 12		
Excitation, Maximum Voltage	V	18		
Input Resistance	Ω	1080 ± 50		
Output Resistance	Ω	1000 ± 10		
Insulation Resistance (50V)	MΩ	≥5000		
Compensated Temperature	°C	-10 ~ + 40		
Operating Temperature	°C	-35 ~ + 65		
Load Cell Weight	kg	~0.04		
Element Material		Aluminium		
Ingress Protection (acc. to EN 60529)		IP65		
Recommended Torque on Fixation Bolts	Nm	M4: 3	M6: 10	M8: 20

Wiring

Features:

Cable type: 4 separate conductor flat cable , conductor AWG 26
 Cable diameter: Ø 1.2mm
 Cable length: 1.5m ± 0.05m
 Cable jacket: PVC

4-Wire Connection Diagram

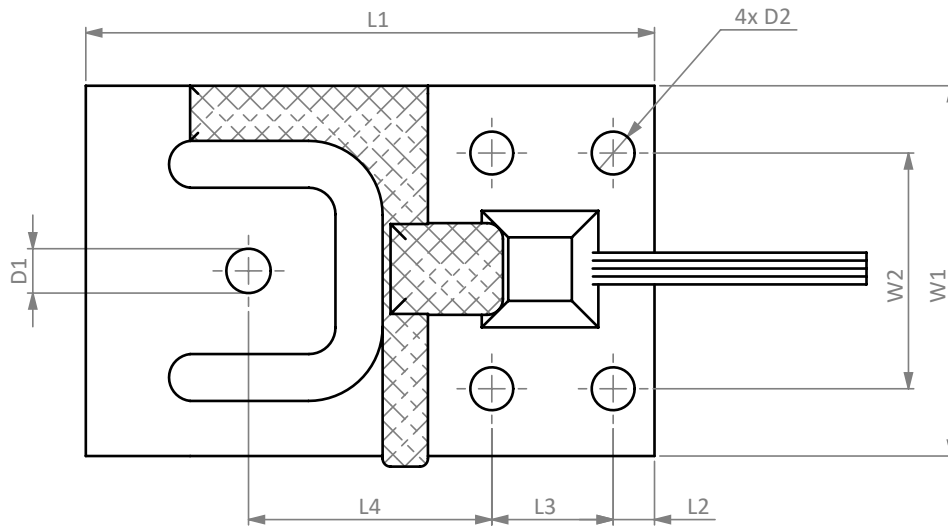


Specifications and dimensions are subject to change without notice and do not constitute any liability whatsoever.

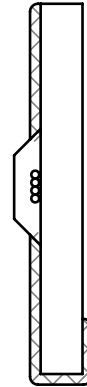
Type L6P1 Planar Beam Load Cell

Dimensions in mm

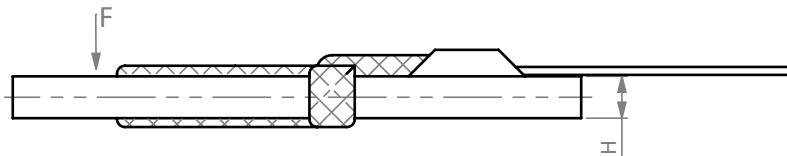
Top View



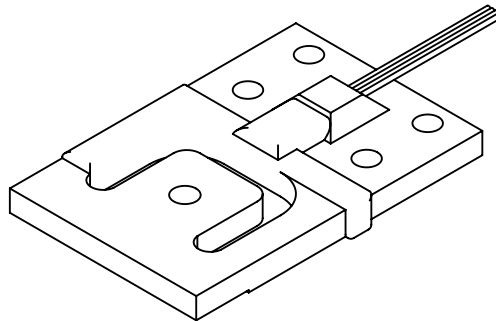
Side View



Front View



Isometric View



Dimension Capacity	L1	L2	L3	L4	W1	W2	H	ØD1	ØD2
3.75 kg	70	4.9	14	28	39	27.8	1.6	5.1	5.1
7.5 kg	70	4.9	14	28	39	27.8	2.2	5.1	5.1
15 kg	70	4.9	14	28	39	27.8	3.1	6.5	5.8
37.5 kg	76.2	6	15	29.3	44.5	30	4.1	7.6	6.6
75 kg	84.4	6.4	15	34	54.8	30	6	7.6	6.6
150 kg	107.3	7.8	22.9	45.9	69.9	44.5	7.9	M10	8.1
375 kg	119.4	9.2	25.4	52.6	76.1	50.8	11.7	9.1	9.8

Specifications and dimensions are subject to change without notice and do not constitute any liability whatsoever.