



Short Description



- Aluminium bending miniature sensor
- High accuracy
- Used for Electronic balances

Available Models

Capacity	Accuracy	Full Article Description
0.5kg	0.02%	1A-80*12*22-0.5kg
1 kg	0.02%	1A-80*12*22-1kg
2 kg	0.02%	1A-80*12*22-2kg
3 kg	0.02%	1A-80*12*22-3kg

Specifications and dimensions are subject to change without notice and do not constitute any liability whatsoever.

Technical Specifications 1A

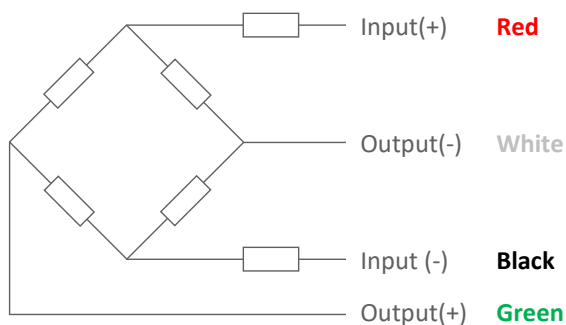
Accuracy Class		0.02%
Output Sensitivity (= FS)	mV/V	1.2 ± 0.1
Maximum Capacity (E _{max})	kg	0.5, 1, 2, 3
Combined Error	%FS	≤± 0.02
Creep Error (5 minutes)	%FS	≤± 0.02
Non-Linearity	%FS	±0.02
Repeatability	%FS	±0.02
Hysteresis	%FS	±0.02
Temperature Effect on Zero (ZTC)	%FS/10°C	≤± 0.2
Temperature Effect on Sensitivity (STC)	%FS/10°C	≤± 0.03
Zero Balance	mV/V	≤± 0.05
Safe Overload	%FS	150
Ultimate Overload	%FS	300
Maximum Deflection	mm	0.22
Excitation, Recommended Voltage	V	5 ~ 9
Excitation, Maximum Voltage	V	10
Input Resistance	Ω	395 ± 10
Output Resistance	Ω	350 ± 5
Insulation Resistance (50V)	MΩ	≥2000
Compensated Temperature	°C	-10 ~ + 40
Operating Temperature	°C	-10 ~ + 40
Storage Temperature	°C	-20 ~ + 65
Load Cell Weight	kg	0.045
Element Material		Aluminium
Ingress Protection (acc. to EN 60529)		IP65
Recommended Torque on Fixation Bolts	Nm	M3: 1

Wiring

Features:

Cable type: 4 separate conductor cable , conductor AWG 30
 Cable diameter: Ø 0.9mm
 Cable length: L= 0.25m
 Cable jacket: PVC

4-Wire Connection Diagram

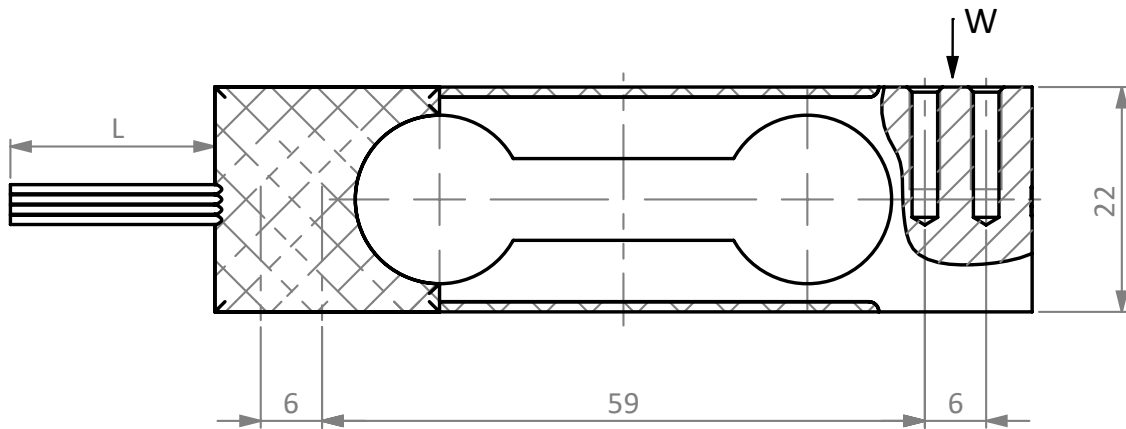


Specifications and dimensions are subject to change without notice and do not constitute any liability whatsoever.

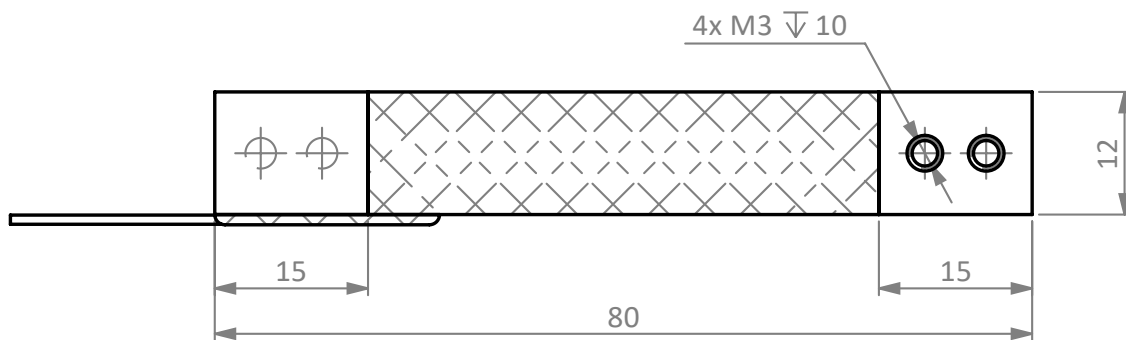
Type 1A Miniature Sensor

Dimensions in mm

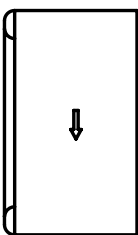
Front View



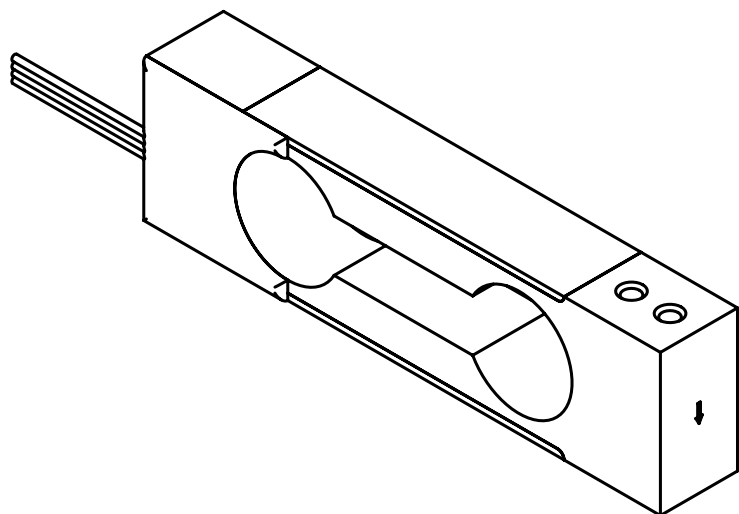
Top View



Side View



Isometric View



Specifications and dimensions are subject to change without notice and do not constitute any liability whatsoever.