



Short Description



- Aluminium bending miniature sensor
- High accuracy
- Recommended for portable scales

Available Models

Capacity	Accuracy	Full Article Description
5kg	0.03%	1B-S-5kg
6kg	0.03%	1B-S-6kg
10kg	0.03%	1B-S-10kg
12kg	0.03%	1B-S-12kg
15kg	0.03%	1B-S-15kg
20kg	0.03%	1B-S-20kg
50kg	0.03%	1B-S-50kg
70kg	0.03%	1B-S-70kg

Specifications and dimensions are subject to change without notice and do not constitute any liability whatsoever.

Technical Specifications 1B-S

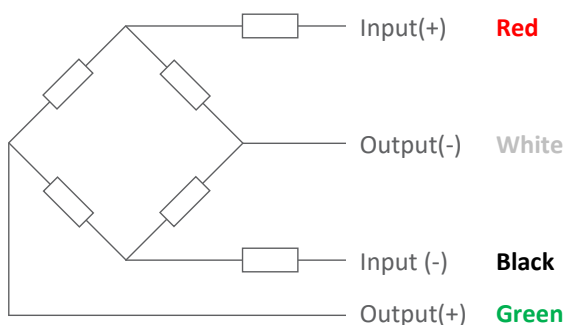
Accuracy Class	%FS	0.03	
Output Sensitivity (= FS)	mV/V	1.8 ± 0.18	
Maximum Capacity (E _{max})	kg	5, 6, 10, 12, 15, 20, 50, 70	
Creep Error (5 minutes)	%FS	≤± 0.03	
Non-Linearity	%FS	±0.02	
Repeatability	%FS	±0.02	
Hysteresis	%FS	±0.03	
Temperature Effect on Zero (ZTC)	%FS/10°C	≤± 0.3	
Temperature Effect on Sensitivity (STC)	%FS/10°C	≤± 0.03	
Zero Balance	mV/V	≤± 0.1	
Safe Overload	%FS	150	
Ultimate Overload	%FS	300	
Excitation, Recommended Voltage	V	5 ~ 9	
Excitation, Maximum Voltage	V	10	
Input Resistance	Ω	1055 ± 10	
Output Resistance	Ω	1000 ± 5	
Insulation Resistance (50V)	MΩ	≥3000	
Operating Temperature	°C	-10 ~ + 40	
Storage Temperature	°C	-20 ~ + 65	
Load Cell Weight	kg	0.02	
Element Material		Aluminium	
Ingress Protection (acc. to EN 60529)		IP65	
Recommended Torque on Fixation Bolts	Nm	M3: 1.0	M4: 2.3

Wiring

Features:

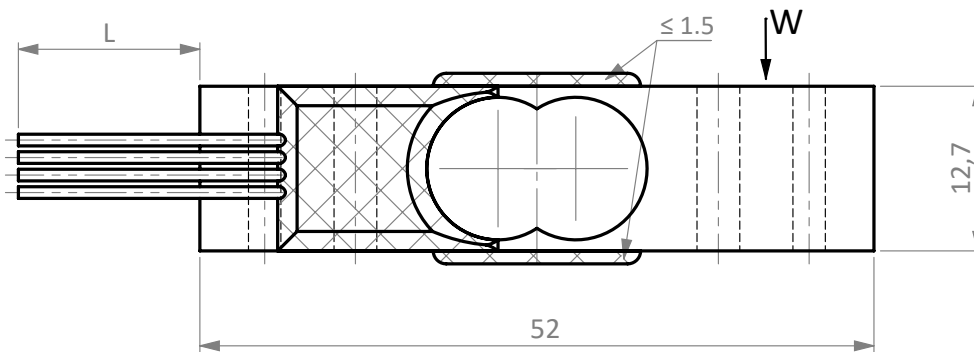
Cable type: 4 separate conductor cables, unshielded, conductor AWG 30
 Cable diameter: 0.9mm
 Cable length: L = 0.198m ± 0.005m
 Cable jacket: PVC

4-Wire Connection Diagram

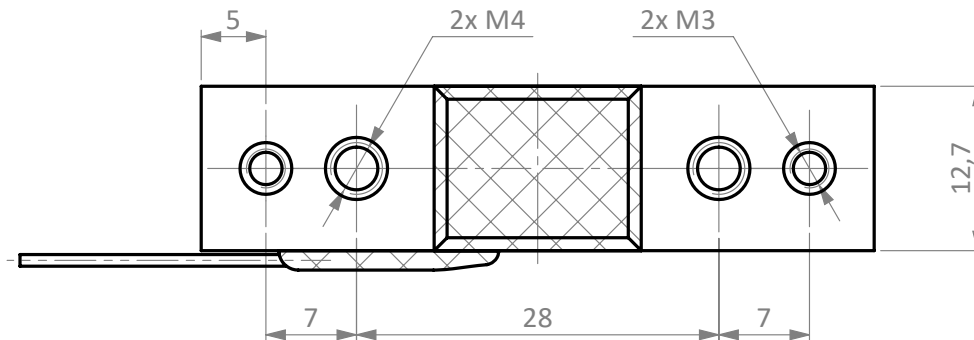


Dimensions in mm

Front View



Top View



Isometric View

