

Short Description



- Aluminium bending miniature sensor
- High accuracy
- Suitable for platform and price computing scales

Available Models

Capacity	Accuracy	Full Article Description
4kg	0.03%	1Z-100*20*20-4kg
6kg	0.03%	1Z-100*20*20-6kg
10kg	0.03%	1Z-100*20*20-10kg
20kg	0.03%	1Z-100*20*20-20kg
30kg	0.03%	1Z-100*20*20-30kg

Technical Specifications 1Z

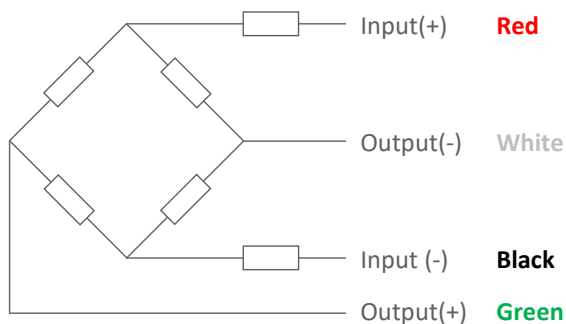
Accuracy Class	%FS	0.03
Output Sensitivity (= FS)	mV/V	2.0 ± 0.1
Maximum Capacity (E _{max})	kg	4, 6, 10, 20, 30
Creep Error (5 minutes)	%FS	≤± 0.03
Non-Linearity	%FS	≤± 0.03
Repeatability	%FS	≤± 0.03
Hysteresis	%FS	≤± 0.03
Temperature Effect on Zero (ZTC)	%FS/10°C	≤± 0.1
Temperature Effect on Sensitivity (STC)	%FS/10°C	≤± 0.03
Zero Output	mV/V	≤± 0.04
Safe Overload	%FS	150
Ultimate Overload	%FS	300
Maximum Deflection	mm	~0.45 – 0.67
Eccentric Loading Error	%Ld/cm	± 0.01
Excitation, Recommended Voltage	V	5 ~ 9
Excitation, Maximum Voltage	V	10
Input Resistance	Ω	1055 ± 10
Output Resistance	Ω	1000 ± 10
Insulation Resistance (@50VDC)	MΩ	≥3000
Compensated Temperature	°C	-10 ~ + 40
Operating Temperature	°C	-10 ~ + 40
Storage Temperature	°C	-20 ~ + 65
Element Material		Aluminium
Ingress Protection (acc. to EN 60529)		IP65
Recommended Torque on Fixation Bolts	Nm	M6: 10

Wiring

Features:

Cable type: 4 separate conductor cable , conductor AWG 28
 Cable diameter: Ø 1.2mm
 Cable length: 0.27m ± 0.01m
 Cable jacket: PVC

4-Wire Connection Diagram

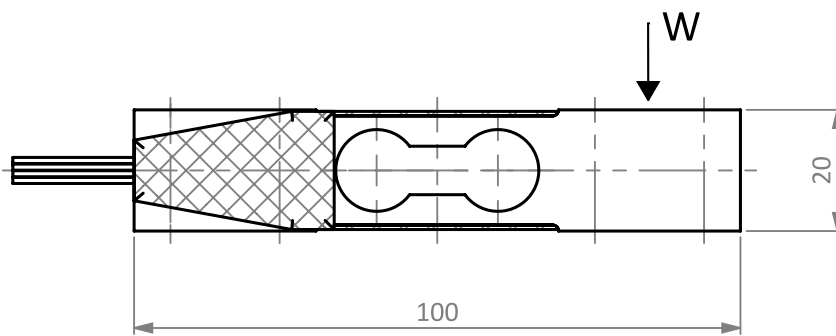


Specifications and dimensions are subject to change without notice and do not constitute any liability whatsoever.

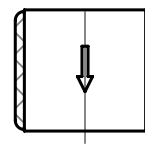
Type 1Z Miniature Sensor

Dimensions in mm

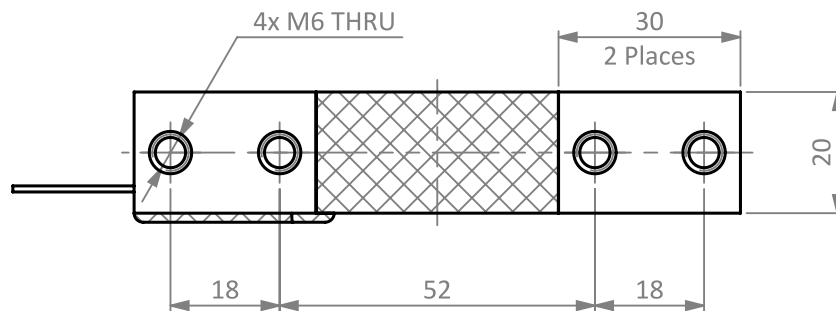
Front View



Side View



Top View



Isometric View

