



Short Description



- Stainless steel bending miniature sensor
- High accuracy
- Used for personal scales

Available Models

Capacity	Accuracy	Full Article Description
20kg	0.1%	2F-57.7*10*1.58-20kg

Specifications and dimensions are subject to change without notice and do not constitute any liability whatsoever.

Technical Specifications 2F

Accuracy Class		0.1%
Output Sensitivity (= FS)	mV/V	2.5 ± 0.4
Maximum Capacity (E _{max})	kg	20
Combined Error	%FS	≤± 0.1
Creep Error (5 minutes)	%FS	≤± 0.1
Non-Linearity	%FS	±0.05
Repeatability	%FS	±0.05
Hysteresis	%FS	±0.05
Temperature Effect on Zero (ZTC)	%FS/10°C	≤± 0.3
Temperature Effect on Sensitivity (STC)	%FS/10°C	≤± 0.3
Zero Balance	mV/V	≤± 1.0
Safe Overload	%FS	150
Ultimate Overload	%FS	300
Maximum Deflection	mm	0.15
Excitation, Recommended Voltage	V	5 ~ 9
Excitation, Maximum Voltage	V	10
Input Resistance	Ω	350 ± 50
Output Resistance	Ω	350 ± 50
Insulation Resistance (50V)	MΩ	≥2000
Operating Temperature	°C	-10 ~ + 40
Storage Temperature	°C	-20 ~ + 65
Load Cell Weight	kg	~0.01
Element Material		Stainless steel
Ingress Protection (acc. to EN 60529)		IP65
Recommended Torque on Fixation Bolts	Nm	M4: 3.5

Wiring

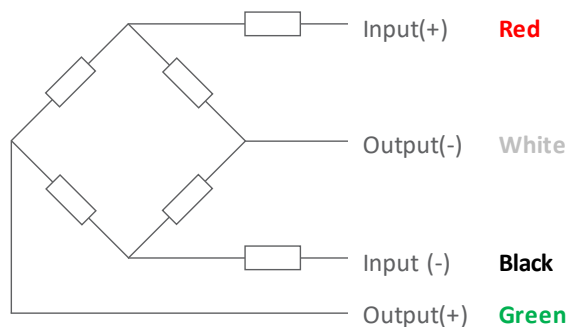
Features:

Cable type: 4 separate conductor cable , conductor AWG 30
 Cable diameter: Ø 0.9mm
 Cable length: L= 0.3m
 Cable jacket: PVC

Connector:

Molex Connector 0430250400

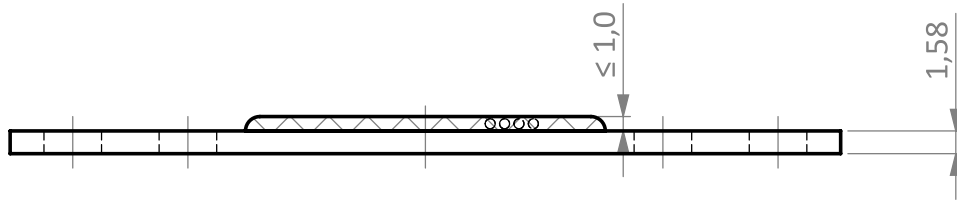
4-Wire Connection Diagram



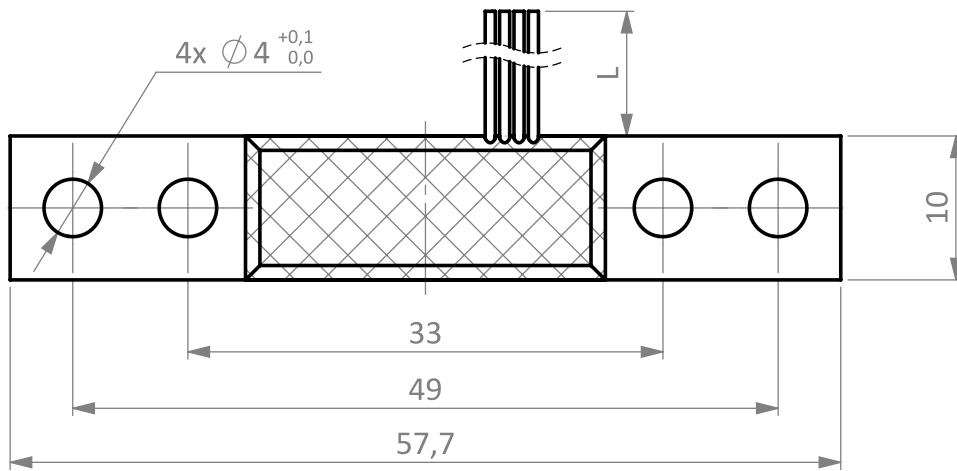
Type 2F Miniature Sensor

Dimensions in mm

Front View



Top View



Side View



Isometric View

