

Short Description



- Low profile, parallel beam construction
- Anodized aluminum alloy
- IP65
- Easy installation



Test certificate no. TC8407 Revision 0
C of C no R60/2000-NL1-13.22 Rev. 1

Available Models

| Capacity | Accuracy | Full Article Description |
|----------|-------------------------|--------------------------|
| 22kg | C3 | L6P-C3-22kg-1.5P-R1S |
| 45kg | C3 | L6P-C3-45kg-1.5P-R1S |
| 75kg | C3 | L6P-C3-75kg-1.5P-R1S |
| 90kg | C3 | L6P-C3-90kg-1.5P-R1S |
| 110kg | C3 | L6P-C3-110kg-1.5P-R1S |
| 150kg | C3 (Excluded from OIML) | L6P-C3-150kg-1.5P-R1S |

Specifications and dimensions are subject to change without notice and do not constitute any liability whatsoever.

Technical Specifications L6P

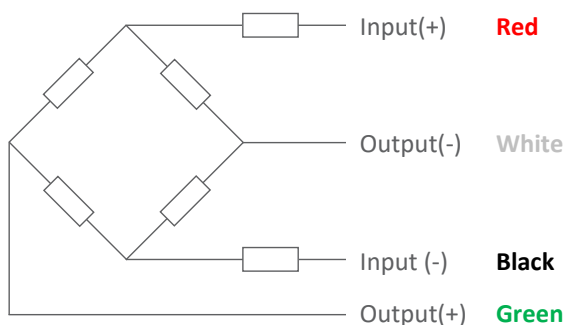
| | | | |
|---|-------------------------|---------------------|------------|
| Accuracy Class | | OIML R60 C3 | C3 |
| Output Sensitivity (= FS) | mV/V | 1.0 ± 0.1 | 1.0 ± 0.02 |
| Maximum Capacity (E _{max}) | kg | 22, 45, 75, 90, 110 | 150 |
| Max. Number of Load Cell Intervals | n _{LC} | 3000 | |
| Ratio of min. LC Verification Interval | $Y = E_{max} / V_{min}$ | 10000 | |
| Combined Error | %FS | ≤± 0.0230 | |
| Creep Error (30 minutes) | %FS | ≤± 0.0167 | |
| Temperature Effect on Zero (ZTC) | %FS/10°C | ≤± 0.0187 | |
| Temperature Effect on Sensitivity (STC) | %FS/10°C | ≤± 0.0200 | |
| Zero Balance | %FS | ≤± 5.0 | |
| Safe Overload | %FS | 150 | 120 |
| Ultimate Overload | %FS | 300 | 250 |
| Excitation, Recommended Voltage | V | 5 ~ 12 | |
| Excitation, Maximum Voltage | V | 18 | |
| Input Resistance | Ω | 1065 ± 15 | 1080 ± 50 |
| Output Resistance | Ω | 1000 ± 10 | |
| Insulation Resistance (50V) | MΩ | ≥5000 | |
| Compensated Temperature | °C | -10 ~ + 40 | |
| Operating Temperature | °C | -35 ~ + 65 | |
| Storage Temperature | °C | -35 ~ + 65 | |
| Load Cell Weight | kg | ~0.04 - ~0.07 | |
| Element Material | | Aluminium | |
| Ingress Protection (acc. to EN 60529) | | IP65 | |
| Recommended Torque on Fixation Bolts | Nm | M4: 3 | |

Wiring

Features:

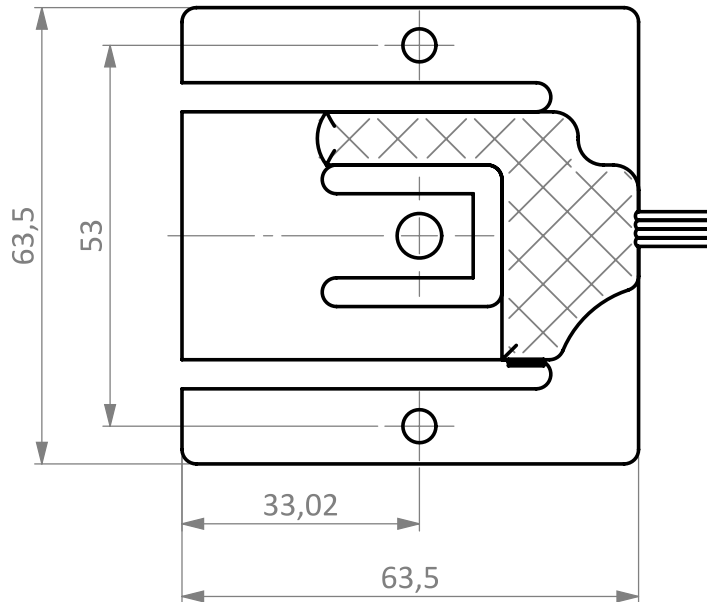
Cable type: 4 conductor flat ribbon cable , conductor AWG 26
 Cable diameter: Ø 1.2mm
 Cable length: 1.5m
 Cable jacket: N/A

4-Wire Connection Diagram

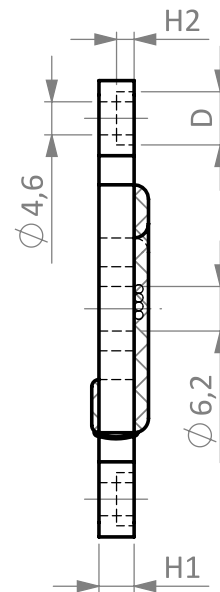


Dimensions in mm

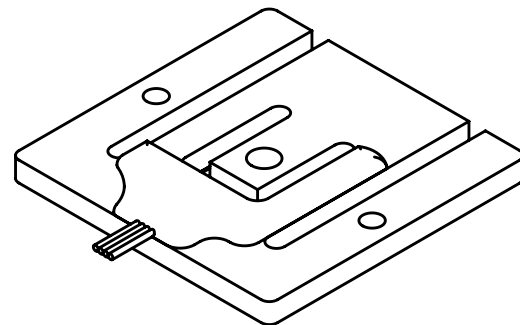
Top View



Side View



Isometric View



| Dimension Capacity | ϕD | H2 | H1 |
|-----------------------|----------|-----|------|
| 22kg | 4.6 | -- | 3.31 |
| 45kg | 4.6 | -- | 4.89 |
| 75kg | 4.6 | -- | 6.16 |
| 90kg | 4.6 | -- | 6.75 |
| 110kg | 7.4 | 3.2 | 7.58 |
| 150kg | 7.4 | 3.2 | 8.71 |