



Short Description



- Height adjustable foot
- Easy installation
- Stainless steel
- Self-centering
- Can be used with load cell models: B8D, B8Q, BM8D and H8C

Available Models

Model	Capacity	Full Article Description	Part Number
BJ-8-202	0.1t – 2t	BJ-8-202-0.1t/2t	20801100
	2.5t – 5t	BJ-8-202-2.5t/5t	20801200
	10t	BJ-8-202-10t	20801240

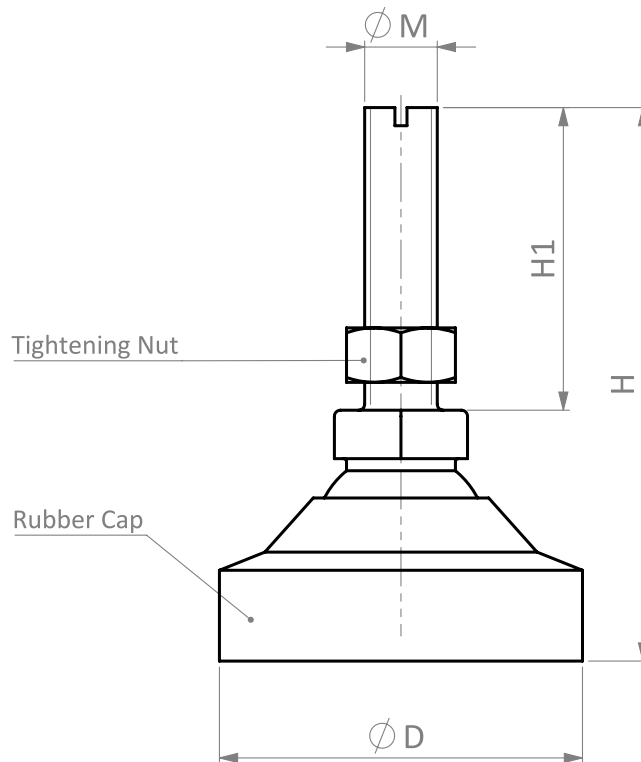
Detailed Specifications BJ-8-202

Capacity with load cell	0.1t – 2t	2.5t – 5t	10t
Maximum vertical force (down)	30 kN	70 kN	100 kN
Maximum horizontal movement	+1 / -1 mm	+1 / -1 mm	+1 / -1 mm

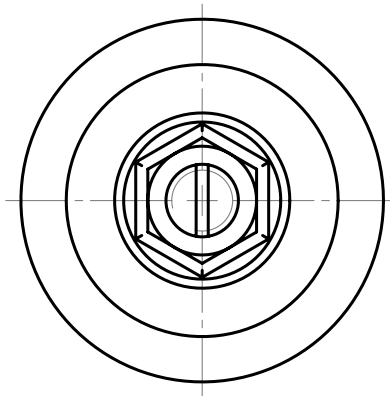
Specifications and dimensions are subject to change without notice and do not constitute any liability whatsoever.

Dimensions in mm

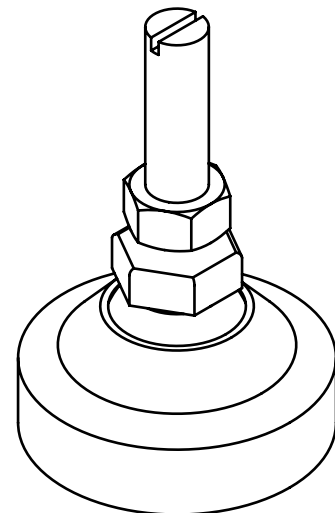
Side View



Top View



Isometric View



Dimension Type	Capacity	ØD	H	H1	M
BJ-8-202	0.1t – 2t	60	92	50	M12 x 1.75
	2.5t – 5t	80	105	50	M20 x 2.5
	10t	86	114	50	M24 x 2.0

Specifications and dimensions are subject to change without notice and do not constitute any liability whatsoever.