



## Short Description

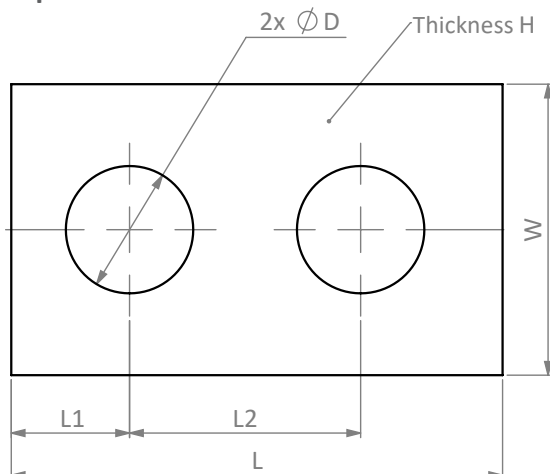
- Spacer plates
- Easy installation
- Nickel plated alloy steel
- Can be used with load cell models: B8D, H8C and BM8D

## Available Models

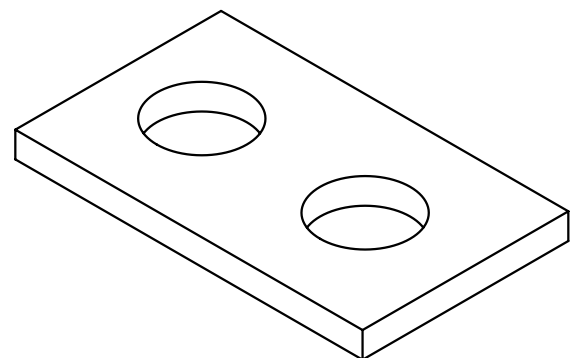
Model	Capacity	Full Article Description	Part Number
HD-8-301	0.1t – 2t	HD-8-301-0.1t/2t	20810100
	2.5t – 5t	HD-8-301-2.5t/5t	20810200
	10t	HD-8-301-10t	20810250

## Dimensions in mm

### Top View



### Isometric View



Dimension Type	Capacity	L	L1	L2	W	D	H
HD-8-301	0.1t – 2t	54	13	25.4	32	14	4
	2.5t – 5t	76	19	38.1	38	20	4
	10t	100	25.4	50.8	51	27	8

Specifications and dimensions are subject to change without notice and do not constitute any liability whatsoever.