

Short Description



- Junction Box for 4 load cells
- Fit for 4-wire load cells
- Easy installation
- Stainless steel (1.4301/AISI 304) housing

Available Models

Model	No. of Connections	Full Article Description	Part Number
JXH-4Bs	4	JB-SS304 small 4lcs (JXH-4Bs)	30080110

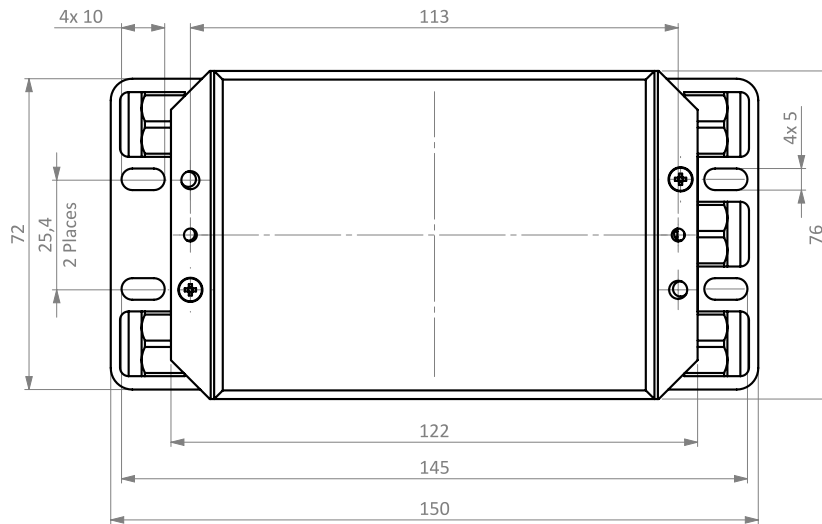
Technical Specifications JXH-4Bs

Load Cell Output Resistance Range	Ω	340 to 1100
Load Cell Input Resistance Range	Ω	340 to 1100
Excitation, Recommended Voltage	V(AC&DC)	5 to 15
Excitation, Maximum	V(AC&DC)	20
Load Cell Sensitivity Range	mV/V	0.6 – 3
Cable \varnothing	mm	5 to 6.2
Correction Method		Signal trim
Trimming Range	Ω	200k
Temperature Range, Operating	$^{\circ}\text{C}$	-40 ~ +85
Ingress Protection		IP65
Housing Connected to Shield		No
External Grounding		No

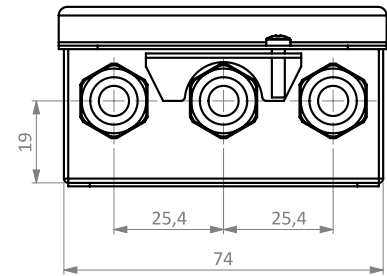
Type JXH-4Bs Junction Box

Dimensions in mm

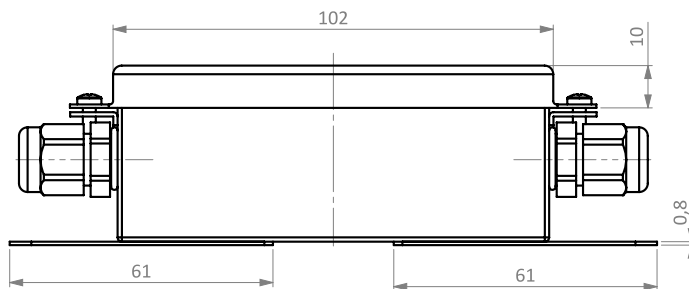
Top View



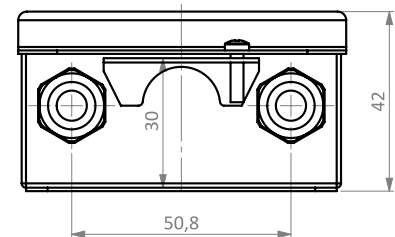
Side View R



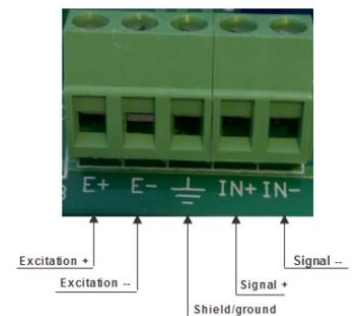
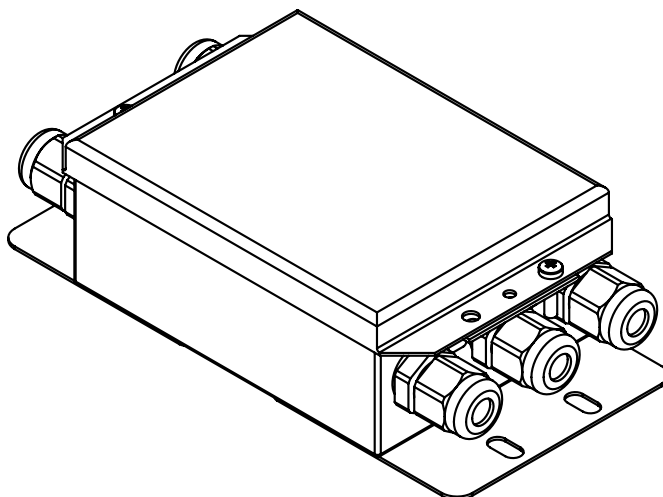
Front View



Side View L



Isometric View



Specifications and dimensions are subject to change without notice and do not constitute any liability whatsoever.